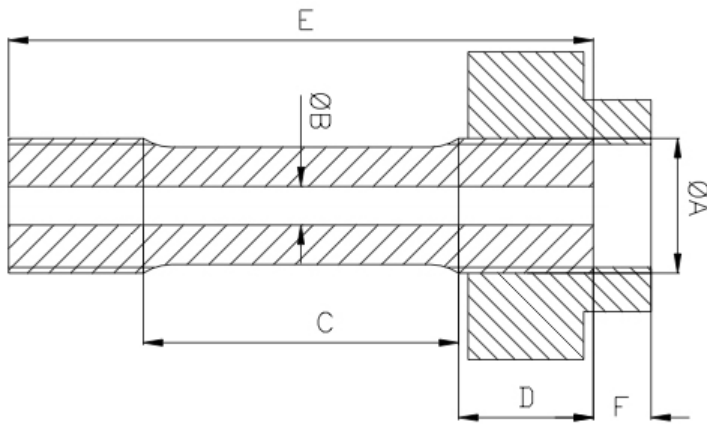


Induction Bolt Heating DATA SHEET



A: Stud diameter

B: Drilling diameter

C: Heating length

D: Thread length

E: Stud length

F: Difference between the top the nut and the top of the bolt

Technical informations

item								
ØA								
ØB								
C								
D								
E								
F								

TEL:+32 2 358 1933 - FAX: +32 2 358 5066